

Vauxhall Collection

CH- 8V
hanging yoke

39h x 14w x 10.5d

ELECTRIC OPTIONS

- Medium Base Socket
- Frosted Chimney
- Single Brass Candle
- Single Brass Tall Candle
- 2 Light Brass Cluster
- 2 Light Tall Brass Cluster
- 3 Light Brass Cluster
- 4 Light Brass Cluster
- Drip Candle Covers



GAS OPTIONS

- Single Brass Burner
- Double Brass Burner
- Triple Brass Burner
- Extra Tall Burner
- LP Brass Burner
- Palmetto Flame Brass Burner
- Bat Flame Brass Burner
- Hidden Gas Line



GLASS OPTIONS

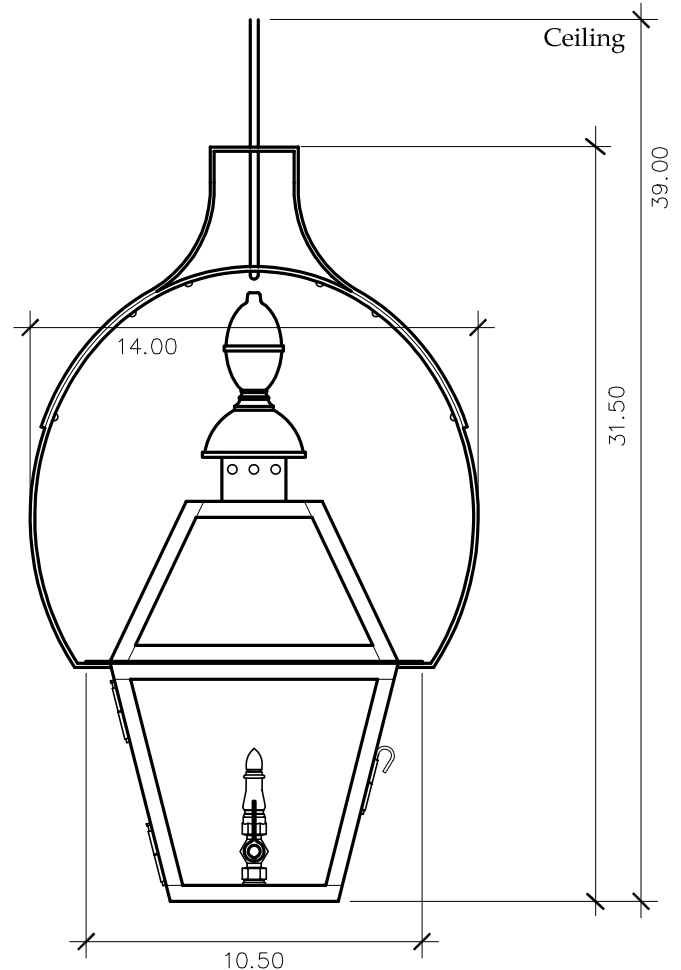
- Tempered Clear
- Seeded
- Artique

ACCESSORIES

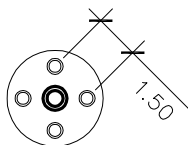
- Solid Copper Top
- Copper Panels
- Top Copper Ring
- Brass Cross Bars
- Copper Cross Bars
- Top Loop
- Full Scroll
- Backward Scroll
- Side Scrolls
- Down Scrolls
- Top Loop Hanger
- Wall Bracket WBC
- Wall Yoke
- Extender Bracket
- Top Mount
- Top Hole Backplate
- Pier Mount
- Pier Mount Cover

FINISHES

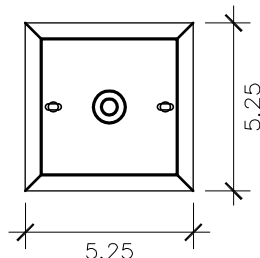
- Solid Copper
- Aged Bronze
- Powder Coated Black
- Silver



GAS MOUNTING PLATE
3" Diameter



ELECTRIC MOUNTING PLATE



STANDARD FEATURES

Solid Copper
Tempered Clear Glass
Electric: 2 Light Brass Candle
Gas: Single Brass Burner
Can be shortened to 33" overall

* Shown with Standard Single Brass Burner

Lantern & Scroll
a brilliant first impression