

Charleston Collection

CH - 21 Hanging

23"H x 13.5"W x 13.5"D

ELECTRIC OPTIONS

- Medium Base Socket
- Frosted Chimney
- Single Brass Candle
- Single Brass Tall Candle
- 2 Light Brass Cluster
- 2 Light Tall Brass Cluster
- 3 Light Brass Cluster
- 4 Light Brass Cluster
- Drip Candle Covers

GAS OPTIONS

- Single Brass Burner
- Double Brass Burner
- Triple Brass Burner
- LP Brass Burner
- Bat Flame Brass Burner

GLASS OPTIONS

- Tempered Clear
- Seeded
- Artique

ACCESSORIES

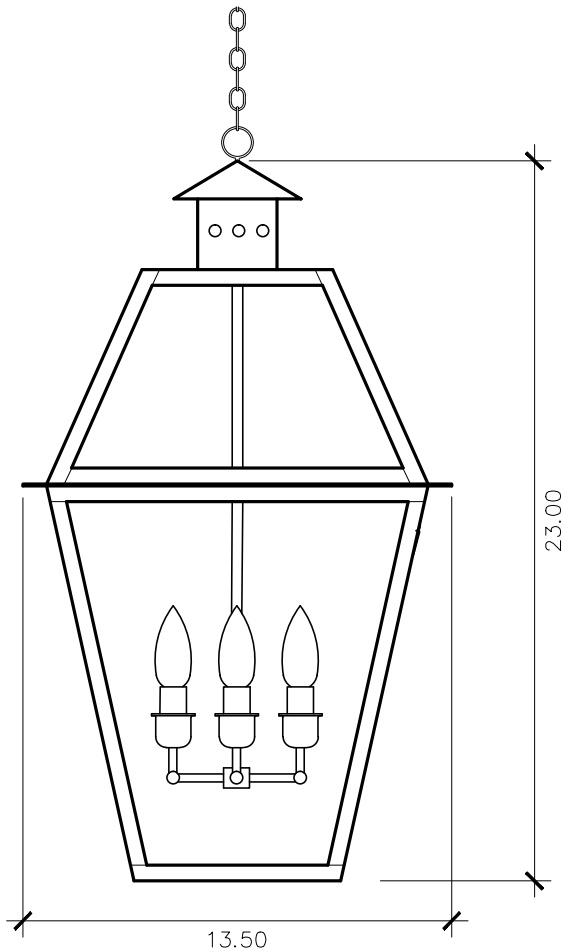
- Solid Copper Top
- Copper Panels
- Top Copper Ring
- Brass Cross Bars
- Top Loop
- Full Scroll
- Side Scrolls
- Backward Scroll
- Wall Bracket WBC
- Wall Yoke
- Top Mount
- Top Hole Backplate
- Pier Mount
- Pier Mount Cover
- Hidden Gas Line

AVAILABLE FINISHES

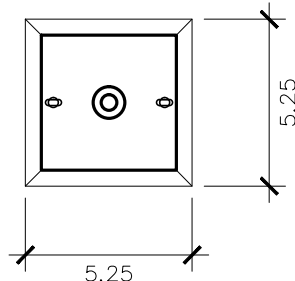
- Solid Copper
- Aged Bronze
- Powder Coated Black
- Lacquer
- Platinum



DAMP



CEILING MOUNTING PLATE



STANDARD FEATURES

Solid Copper
Tempered Clear Glass
Electric: 3 Light Brass Cluster
Gas: Not Available On This Model
Includes 23" of Chain

** Shown with Standard 3 Light Brass Cluster*

COPPER LIGHTING COMPANY, INC.

CLASSIC AMERICAN MADE LIGHTING

903 POPLAR STREET - P.O. Box 4685 - CAYCE, SC 29171

P: 803.926.0001 · F: 803.796.7739 · E: COPPERLIGHTING@GMAIL.COM

WWW.COPPERLIGHTINGCOMPANY.COM