

# Charleston Collection

CH - 13  
hanging yoke

38h x 18w x 13.5d

## ELECTRIC OPTIONS

- Medium Base Socket
- Frosted Chimney
- Single Brass Candle
- Single Brass Tall Candle
- 2 Light Brass Cluster
- 2 Light Tall Brass Cluster
- 3 Light Brass Cluster
- 4 Light Brass Cluster
- Drip Candle Covers



## GAS OPTIONS

- Single Brass Burner
- Double Brass Burner
- Triple Brass Burner
- Extra Tall Burner
- LP Brass Burner
- Palmetto Flame Brass Burner
- Bat Flame Brass Burner
- Hidden Gas Line



## GLASS OPTIONS

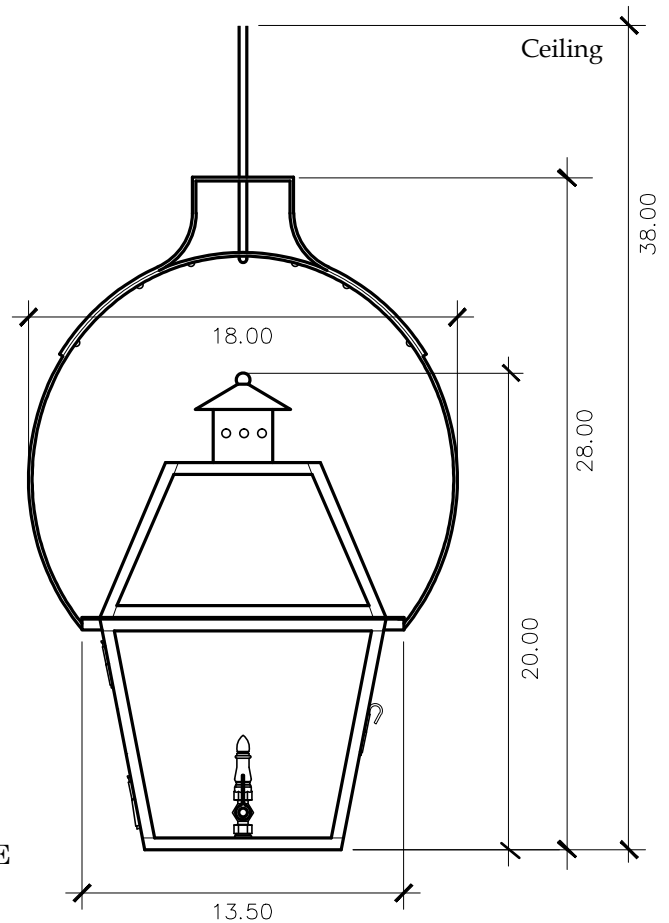
- Tempered Clear
- Seeded
- Antique

## ACCESSORIES

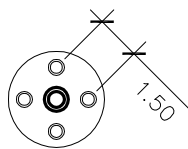
- Solid Copper Top
- Copper Panels
- Top Copper Ring
- Brass Cross Bars
- Copper Cross Bars
- Top Loop
- Full Scroll
- Backward Scroll
- Side Scrolls
- Down Scrolls
- Top Loop Hanger
- Wall Bracket WBC
- Wall Yoke
- Extender Bracket
- Top Mount
- Top Hole Backplate
- Pier Mount
- Pier Mount Cover

## FINISHES

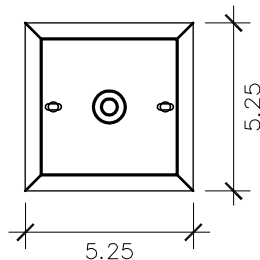
- Solid Copper
- Aged Bronze
- Powder Coated Black
- Silver



GAS MOUNTING PLATE  
3" Diameter



ELECTRIC MOUNTING PLATE



## STANDARD FEATURES

Solid Copper  
Tempered Clear Glass  
Electric: 3 Light Brass Cluster  
Gas: Single Brass Burner  
Can be shortened to 32" overall

\* Shown with Standard Single Brass Candle

Lantern & Scroll  
a brilliant first impression